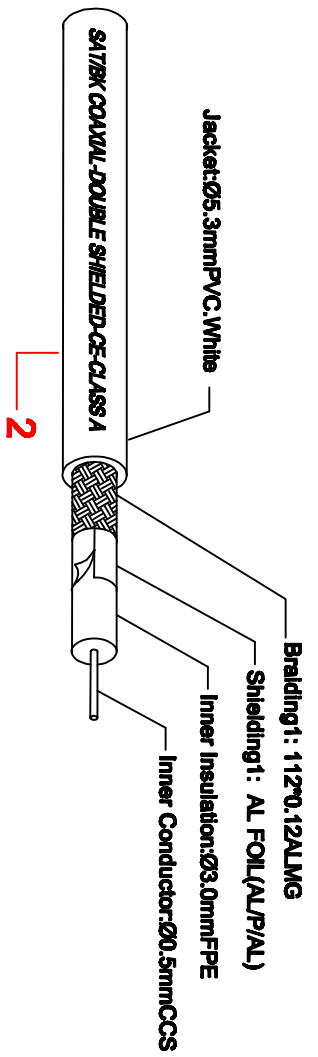
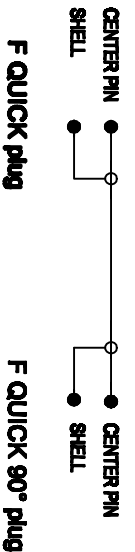


Construction



Wiring Method



1. dimensions As shown
2. Insulation resistance: ≥ 100 up to 500V=
3. dielectric strength
2 KV 50Hz 2 sec.
4. TESTING: 100% OPEN AND SHORT AND MISWIRE TEST.
5. 100% RoHS COMPLIANT.

No	Item	Length	Packaging
67347	BQFWG 0150	1.5m	1/10/80/180
67348	BQFWG 0250	2.5m	1/10/80/120
67349	BQFWG 0350	3.5m	1/10/40/80
67350	BQFWG 0500	5.0m	1/10/30/80
67351	BQFWG 0750	7.5m	1/5/20/40
67352	BQFWG 1000	10m	1/5/20/40

6	MOULDER	PVC 48P White	15g
5	CONNECTOR S2	F QUICK 90° Plug (Nickel plating 100% Shielded)	1set
4	Copper coil	φ4.5mm H8mm	2PCS
3	MOULDER	PVC 48P White	12g
2	CABLE	φ5.3 RG88 COAXIAL CABLE White(According to the chart)	L
1	CONNECTOR S1	F QUICK Plug (Nickel plating 100%, Shielded)	1set
NO	Item Name	SPEC	QTY
Edition	WEC/000	Scale	
Designed by	ming hong	Item Name	F QUICK PLUG TO F QUICK 80° PLUG COAXIAL CABLE
Checked by		Item NO	BQFWG series cable
Approved by		Unit: MM	
Date	11.28.2013		