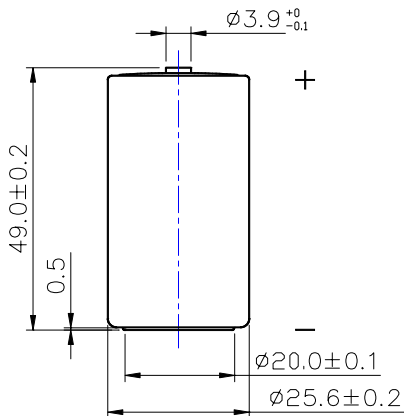


**SPECIFICATIONS**

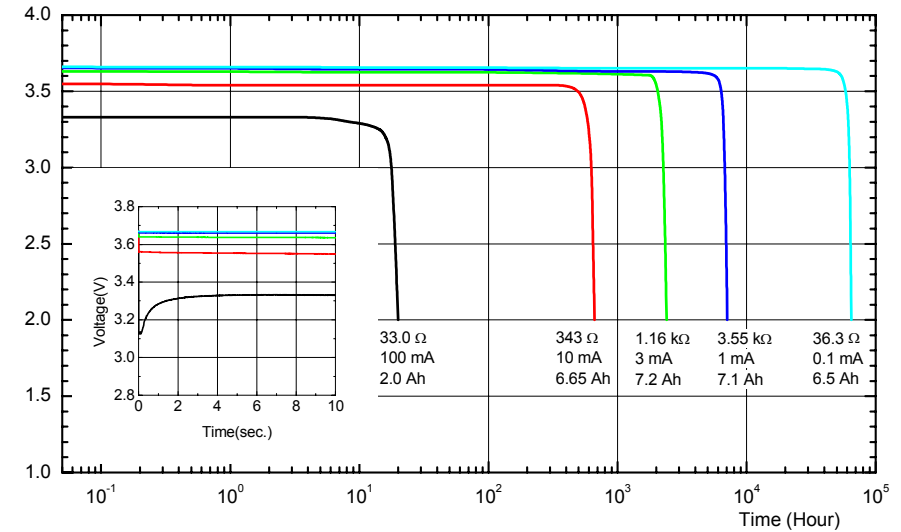
(Typical values for batteries stored at 20°C for one year)

<b>Nominal Capacity (At 3mA/20°C/68°F/2.0V Cut-Off)</b>	<b>7.2 Ah</b>
<b>Open Circuit Voltage (At 20°C/68°F)</b>	<b>3.67 V</b>
<b>Nominal Voltage (At 3mA/20°C/68°F)</b>	<b>3.6 V</b>
<b>Maximum Continuous Current</b>	<b>230 mA</b>
<b>Maximum Pulse Current Capability</b>	<b>400 mA</b>
<b>Rated 1 Sec. Pulse Capability (To 3V)</b>	<b>60 mA</b>
<b>Operating Temperature Range</b>	<b>-55 ~ 85 °C</b>
<b>Weight</b>	<b>50.5 g (1.78 oz)</b>
<b>Anode Surface Area</b>	<b>30 cm<sup>2</sup></b>
<b>Volume</b>	<b>26 cm<sup>3</sup></b>
<b>Diameter (Max)</b>	<b>26.2 mm</b>
<b>Height (Max)</b>	<b>50 mm</b>

**DIMENSIONS IN MM**



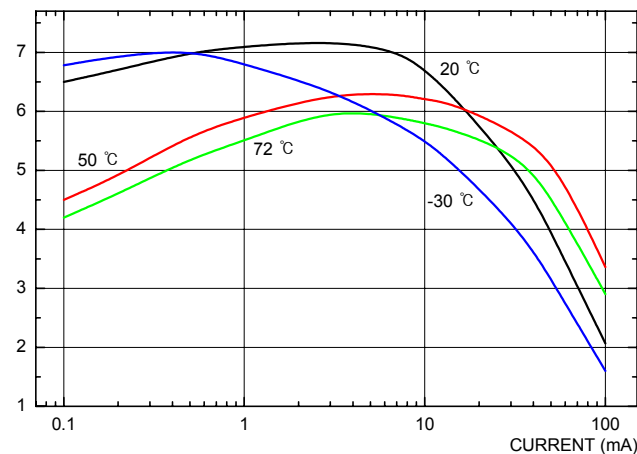
**DISCHARGE CHARACTERISTICS AT +20°C**



**WARNING**

Fire, Explosion And Severe Burn Hazard.  
Do Not Recharge, Crush, Disassemble,  
Heat Above 212°F(100°C), Incinerate  
Or Expose Contents To Water

**CAPACITY vs. CURRENT**



**OPERATING VOLTAGE**

